
Technical Information

ICE-ADP

Jul. 12, 2011
Second Edition

Go through the required procedures as stated under Foreign Exchange and Foreign Trade Control Law in exporting (including the case where travellers directly carry) this product or providing this product for residents outside Japan.

- No part of this manual, whether in whole or in part, may be adapted, copied or reproduced without prior permission.
- The content of and the specifications of this product are subject to change without prior notice.
- Computex Co., Ltd. shall not be held liable for any loss or damage arising from the use of this product although all possible measures have been taken by Computex Co., Ltd. in good faith to ensure the quality of the product.
- Contact us for any questions, feedback, comments, requests or anything of concern to you (or in the event of malfunction) regarding this product or misprinting or missing information within this manual.
- SuperH is a registered trademark or trademark of Renesas Electronics Corporation in Japan, the USA, and other countries.
- Other names of CPUs etc. mentioned in this manual are trademarks or registered trademarks of their respective manufacturers.
- PALMICE and COMPUTEX are registered trademarks of Computex Co., Ltd..

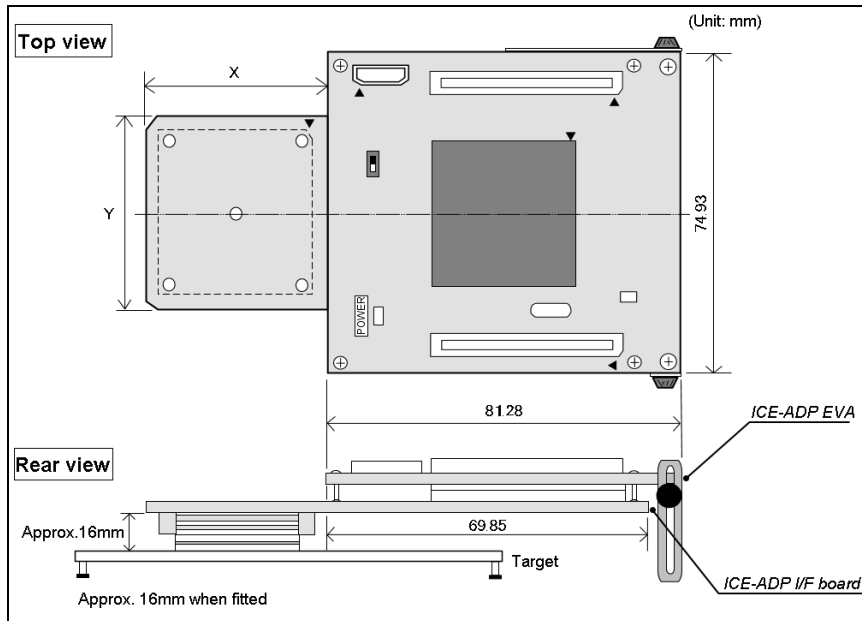
Document change history

| | | |
|----------------|---------------|---------------------|
| First Edition | May. 15, 2009 | Initial edition |
| Second Edition | Jul. 12, 2011 | Changed the format. |

SH7080 Series

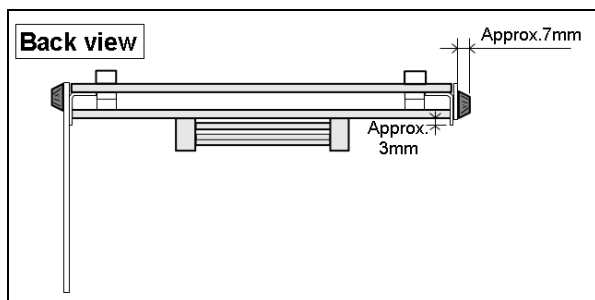
| | |
|---------------------|---|
| Applicable products | PALMiCE3-SH (AUD360 model) / PALMiCE2-SH (AUD360 model) |
|---------------------|---|

Outside dimensions



| CPU name | X | Y |
|----------|-------|-------|
| SH7083 | 27.94 | 30.48 |
| SH7084 | 34.29 | 36.83 |
| SH7085 | 34.29 | 39.37 |
| SH7086 | 35.56 | 41.91 |
| SH7146 | 29.21 | 31.75 |
| SH7149 | 26.67 | 29.21 |
| SH7124 | 25.40 | 22.86 |
| SH7125 | 24.13 | 25.40 |

On the surface of ICE-ADP board facing the target, parts are not populated.



The stand of adjuster type sticks out by approx. 3mm from the surface of the board facing the target even if adjusted to the shortest length. Though the stand itself does not have electric property, be careful as the mounting brackets are conductive.

Supported CPUs and sockets

The CPU socket to be mounted on the user target system is not included in the product contents. You need to prepare Tokyo Eletec Corporation-made CPU socket.

| Supported CPU | Number of pins | Pitch | CPU socket ^{*1, *2} <on the user target side> | CPU socket <on ICE-ADP side> | Manufacturer of CPU socket |
|-----------------------|----------------|-------|---|---------------------------------|----------------------------|
| SH7083F | 100 | 0.5 | NQPACK100SD (-SL) | YQPACK100SD | Tokyo Eletec Corporation |
| SH7084F | 112 | 0.65 | NQPACK112SB (-SL) | YQPACK112SB | Tokyo Eletec Corporation |
| SH7085F | 144 | 0.5 | NQPACK144SD (-SL) | YQPACK144SD | Tokyo Eletec Corporation |
| SH7086F | 176 | 0.5 | NQPACK176SD (-SL) | YQPACK176SD | Tokyo Eletec Corporation |
| SH7146F | 80 | 0.65 | NQPACK080SB (-SL) | YQPACK080SB | Tokyo Eletec Corporation |
| SH7149F ^{*3} | 100 | 0.5 | NQPACK100SD (-SL) | YQPACK100SD | Tokyo Eletec Corporation |
| SH7124F | 48 | 0.65 | NQPACK048SB (-SL) | YQPACK048SB | Tokyo Eletec Corporation |
| SH7125F ^{*3} | 64 | 0.5 | NQPACK064SD (-SL) | YQPACK064SD | Tokyo Eletec Corporation |

*1: SL type has bolts at the bottom of NQPACK. It can be fixed on the user target by hexagon nut from the backside of the board. When ICE-ADP is connected, it puts stress on CPU socket, therefore, we recommend SL type.

*2: For some NQPACK series, "-ND" will be added to their product model numbers. For details, contact the manufacturer of the socket. (-ND: The socket of improved type enhanced with interface for easier IC population)

*3: As for SH7149 product of 0.65mm pitch type or SH7125F product of 0.8mm pitch type, contact our sales individually.

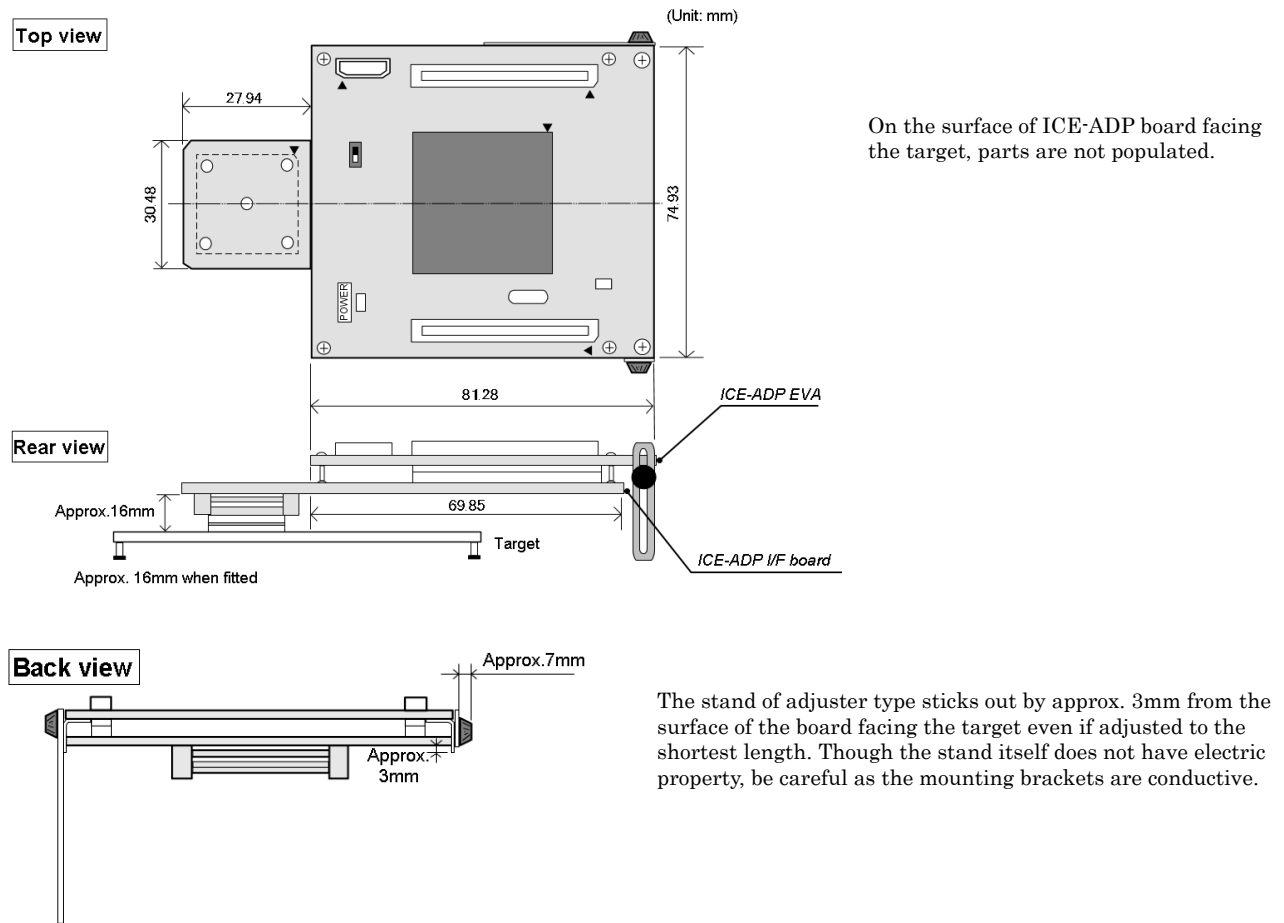
Document change history (SH7080 Series)

| | | |
|---------------|---------------|-----------------|
| First Edition | May. 15, 2009 | Initial edition |
|---------------|---------------|-----------------|

SH7147

| | |
|---------------------|---|
| Applicable products | PALMiCE3-SH (AUD360 model) / PALMiCE2-SH (AUD360 model) |
|---------------------|---|

Outside dimensions



Supported CPU and socket

The CPU socket to be mounted on the user target system is not included in the product contents. You need to prepare Tokyo Eletec Corporation-made CPU socket.

| Supported CPU | Number of pins | Pitch | CPU socket ^{*1,2} <on the user target side> | CPU socket <on ICE-ADP side> | Manufacturer of CPU socket |
|---------------|----------------|-------|---|---------------------------------|----------------------------|
| SH7147F | 100 | 0.5 | NQPACK100SD (-SL) | YQPACK100SD | Tokyo Eletec Corporation |

*1: SL type has bolts at the bottom of NQPACK. It can be fixed on the user target by hexagon nut from the backside of the board. When ICE-ADP is connected, it puts stress on CPU socket, therefore, we recommend SL type.

*2: For some NQPACK series, "-ND" will be added to their product model numbers. For details, contact the manufacturer of the socket. (-ND: The socket of improved type enhanced with interface for easier IC population)

Document change history (SH7147)

| | | |
|---------------|---------------|-----------------|
| First Edition | May. 15, 2009 | Initial edition |
|---------------|---------------|-----------------|