

Applicable Products  
PALMiCE2H ARM (ETM383)

**ETM Connector Specifications**

**Signal table**

| Pin No. | Signal     | Input/Output *1 | Pin No. | Signal     | Input/Output *1 |
|---------|------------|-----------------|---------|------------|-----------------|
| 1       | NC         |                 | 2       | NC         |                 |
| 3       | NC         |                 | 4       | NC         |                 |
| 5       | GND        |                 | 6       | TRACECLK   | Output          |
| 7       | DBGRO *2   | Input           | 8       | DBGACK *2  | Output          |
| 9       | SRST       | Input           | 10      | EXTTRIG    | Input           |
| 11      | TDO        | Output          | 12      | VTref      | Output          |
| 13      | RTCK *3    | Output          | 14      | TVDD       | Output          |
| 15      | TCK        | Input           | 16      | NC         |                 |
| 17      | TMS        | Input           | 18      | NC         |                 |
| 19      | TDI        | Input           | 20      | NC         |                 |
| 21      | TRST       | Input           | 22      | NC         |                 |
| 23      | TRACEPKTB3 | Output          | 24      | TRACEPKTA3 | Output          |
| 25      | TRACEPKTB2 | Output          | 26      | TRACEPKTA2 | Output          |
| 27      | TRACEPKTB1 | Output          | 28      | TRACEPKTA1 | Output          |
| 29      | TRACEPKTB0 | Output          | 30      | TRACEPKTA0 | Output          |
| 31      | TRACESYNCB | Output          | 32      | TRACESYNCA | Output          |
| 33      | PIPESTATB2 | Output          | 34      | PIPESTATA2 | Output          |
| 35      | PIPESTATB1 | Output          | 36      | PIPESTATA1 | Output          |
| 37      | PIPESTATB0 | Output          | 38      | PIPESTATA0 | Output          |

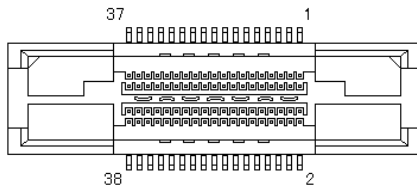
\*1: Input/output is based on the target board.

\*2: For CPU without these signals, leave them unconnected in open state.

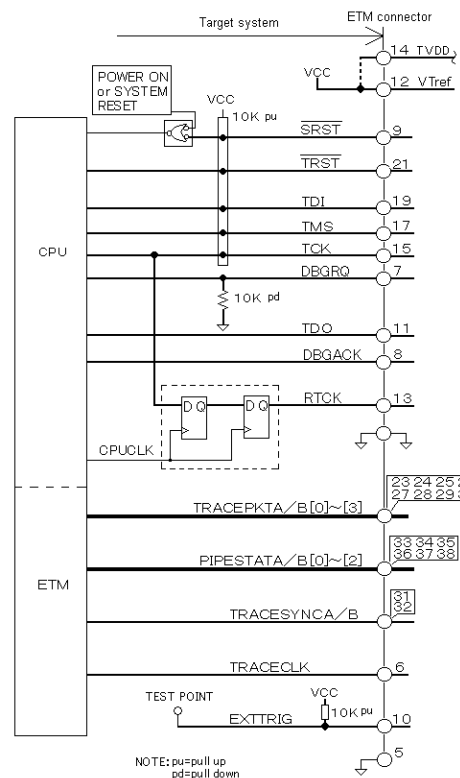
\*3: If the CPU does not have this pin or if you do not intend to use RTCK, leave it as N.C..

**Target Connector Specifications**

AMP-made Mictor connector  
2-767004-2 / 767054-1 / 767061



**Target Connection Reference Diagram**



\* For the signal name corresponding to each Pin No., refer to the signal table.

NOTE: pu=pull up  
pd=pull down