

Applicable Product  
PALMiCE2 ARM (ETM381)

ETM Connector Specifications

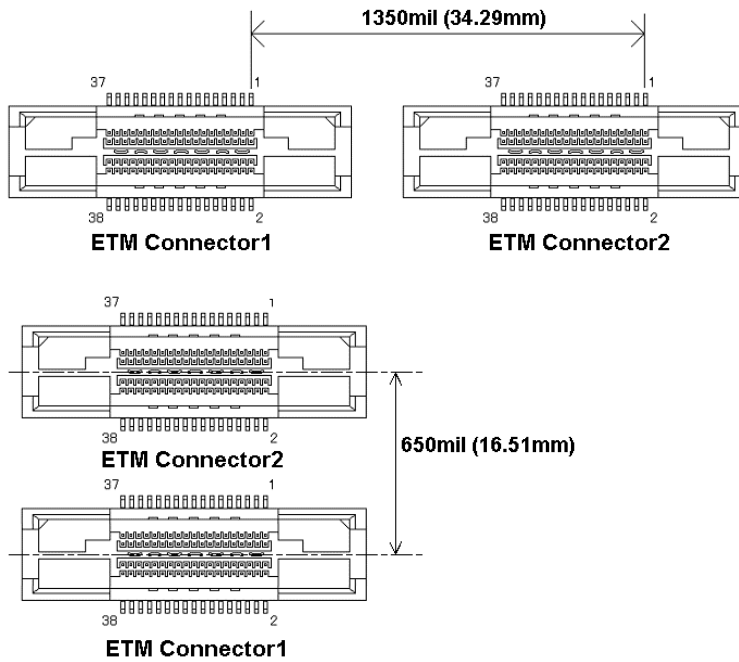
Signal table

Pin No.	ETM Connector 1	Input/Output	ETM Connector 2	Input/Output	Pin No.	ETM Connector 1	Input/Output	ETM Connector 2	Input/Output
1	NC		NC		2	NC		NC	
3	NC		NC		4	NC		NC	
5	GND		NC		6	TRACECLK	Output	NC	
7	DBG RQ *2	Input	NC		8	DBGACK *2	Output	NC	
9	SRST	Input	NC		10	EXTTRIG	Input	NC	
11	TDO	Output	NC		12	VTref *1	Output	NC	
13	RTCK	Output	NC		14	TVDD	Output	NC	
15	TCK	Input	NC		16	TRACEPKTA7	Output	TRACEPKTB7	Output
17	TMS	Input	NC		18	TRACEPKTA6	Output	TRACEPKTB6	Output
19	TDI	Input	NC		20	TRACEPKTA5	Output	TRACEPKTB5	Output
21	TRST	Input	NC		22	TRACEPKTA4	Output	TRACEPKTB4	Output
23	TRACEPKTA15	Output	TRACEPKTB15	Output	24	TRACEPKTA3	Output	TRACEPKTB3	Output
25	TRACEPKTA14	Output	TRACEPKTB14	Output	26	TRACEPKTA2	Output	TRACEPKTB2	Output
27	TRACEPKTA13	Output	TRACEPKTB13	Output	28	TRACEPKTA1	Output	TRACEPKTB1	Output
29	TRACEPKTA12	Output	TRACEPKTB12	Output	30	TRACEPKTA0	Output	TRACEPKTB0	Output
31	TRACEPKTA11	Output	TRACEPKTB11	Output	32	TRACESYNCA	Output	TRACESYNCB	Output
33	TRACEPKTA10	Output	TRACEPKTB10	Output	34	PIPESTATA2	Output	PIPESTATB2	Output
35	TRACEPKTA9	Output	TRACEPKTB9	Output	36	PIPESTATA1	Output	PIPESTATB1	Output
37	TRACEPKTA8	Output	TRACEPKTB8	Output	38	PIPESTATA0	Output	PIPESTATB0	Output

Note 1 Input/output is based on the target board.  
 Note 2 \*1: It is to serve for potential detection, and pull-up signal of 1K ohm also will do.  
 Note 3 \*2: For CPU without these signals, leave them unconnected in open state.

Target Connector Specifications

AMP-made Mictor connector  
2-767004-2 / 767054-1 / 767061



Target Connection Reference Diagram

