

# CPU emulation adapter ICE-ADP SH7147



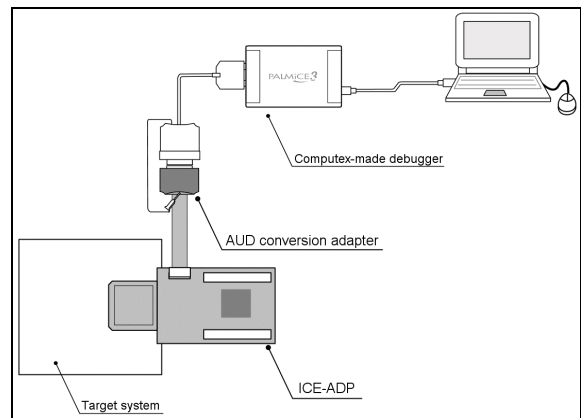
ICE-ADP SH7147 (Hereafter "ICE-ADP") is a CPU emulation adapter specifically for SuperH family SH7147F. The ICE-ADP is implemented with EVA chip dedicated for debugging, and it is to be used in combination with Computex-made debugger\*1. With dedicated EVA chip installed, it allows debugging not constrained by the target as in the case of the traditional CPU in-circuit emulator. The ICE-ADP will not require connector I/F dedicated for debugging as it connects to CPU socket of the target. If used in combination with Computex-made debugger\*1, under user-friendly CSIDE environment, it supports high-level language debugging of a range of C languages, and also can be used for the debugging of a range of RTOSs.

\*1 : See "Applicable products" column in the table below.

## Features

- Fully supports debugging functionality thanks to EVA chip employed
- Does not occupy user I/O pins (All open to users)
- Fully supports debugging functionality with EVA chip employed
- Supports SH7147F of SuperH family
- Supports maximum operating frequency
- Easy to handle with compliance to CSIDE
- Supports a range of RTOSs (with optional CSIDE)

## Connection structure

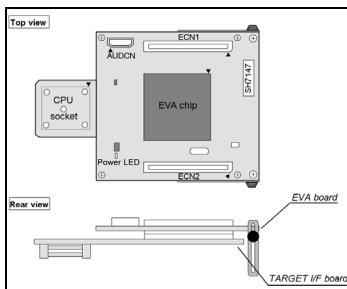


## Main Specifications

Supported CPU	SH7147F (SH-2)
Applicable products *1	PALMiCE3 SH(AUD360 model) / PALMiCE2 SH(AUD360 model)
Power	Powered by the target system. Current consumption: Approx. 170mA (MAX.)
Other specifications	Compliant with the debugger used.

\*1 : ICE-ADP is what to be used together with "Applicable products" stated in the table. Mind the product, model, etc. you use with.

## Standard Set



Standard Set product components	ICE-ADP / AUD conversion adapter / Screw kit for mounting CPU socket / Manual	
Supported CPU	Product name	Contents
SH7147F	IAS-SH7147-100P5	ICE Adapter SH7147 Standard Set



**Computex Co., Ltd.**  
http://www.computex.co.jp/eg/

Tokyo Sales Office (Contact) Ohmori Plaza Bldg. 5F,  
3-28-3 Minami-Oi, Shinagawa-ku, TOKYO 1400013 Japan  
E-mail: [sales@computex.co.jp](mailto:sales@computex.co.jp)

Head Office Tairanbo Bldg.,  
4-432-13 Gojobashi-Higashi, Higashiyama-ku, Kyoto,  
KYOTO 6050846 Japan

<Send inquiries to: >

\* Please be forewarned that information in this document is subject to change without prior notice.  
 \* COMPUTEX, CSIDE, and PALMiCE are registered trademarks of Computex Co., Ltd. in Japan.  
 \* SuperH is a registered trademark or trademark of Renesas Electronics Corporation in Japan, the USA, and other countries.  
 \* Other names of the products, CPUs, and companies mentioned in this document are business names, trade names, trademarks, or registered trademarks of their respective owners.